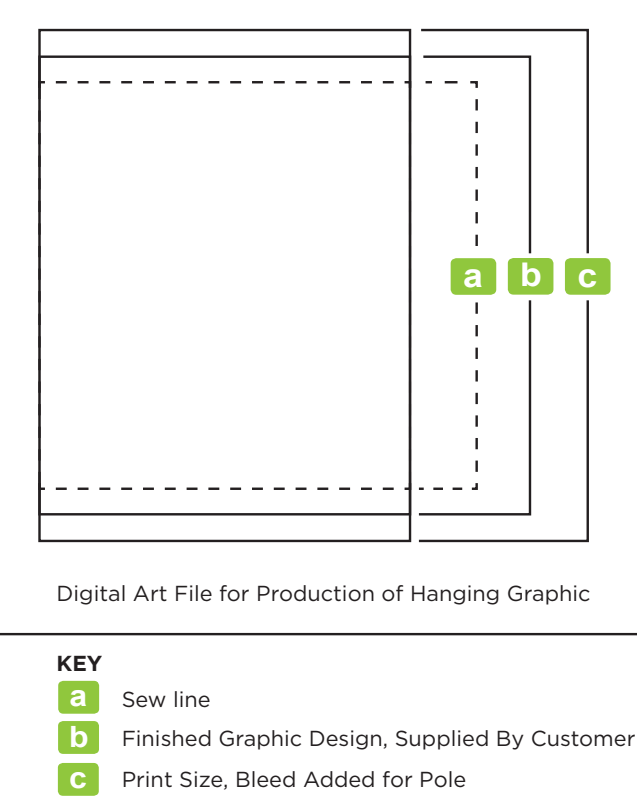
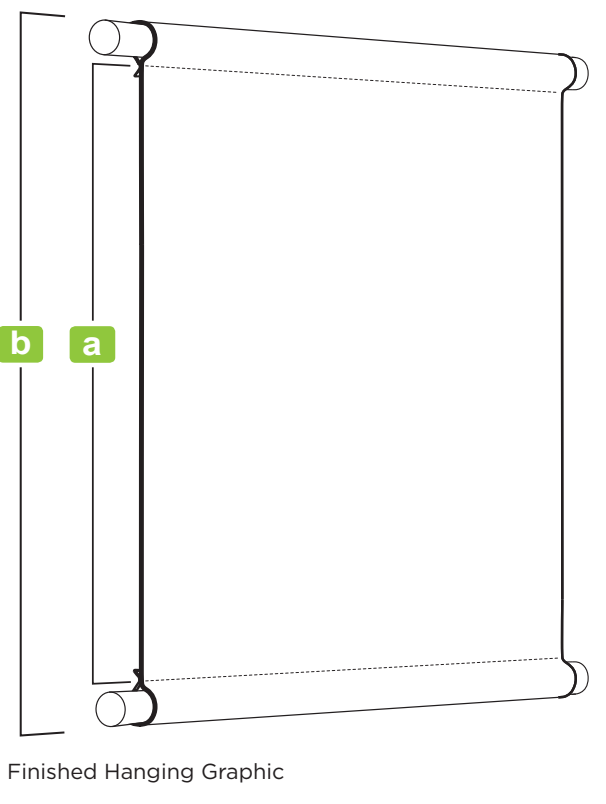
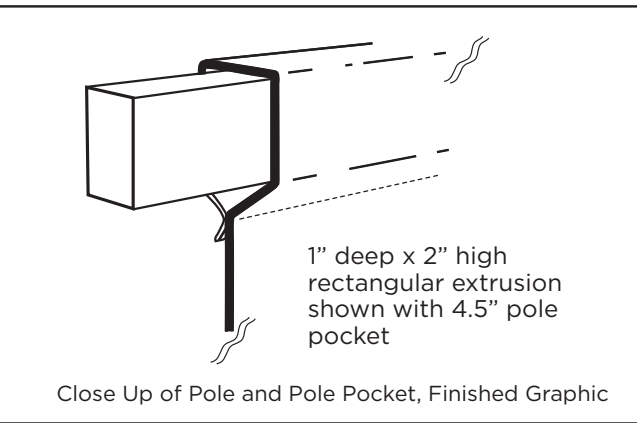
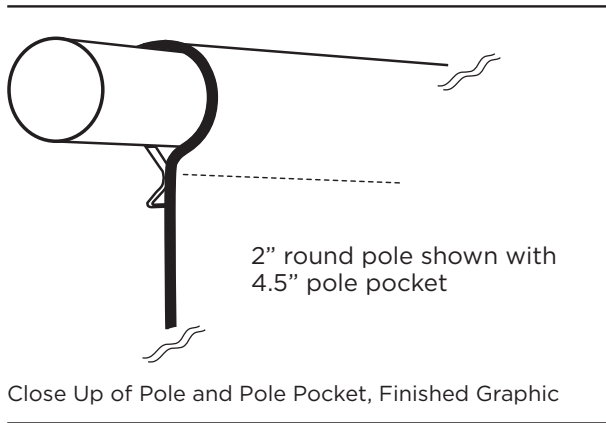


POLE POCKET HOW-TO

Remember when providing instruction, be specific if you are providing the size of the pole or the pole pocket. Both should be provided.

- » **Customer Responsibility:** Provide Finished Size **b** and Pole Size.
- » **Our Responsibility:** Create Print Size **c** and recommend appropriate Pole Pocket Size.



Formula. Using a 2" pole for example:

To determine pocket size, double pole size and then add .5" **IE:** for a 2" pole (2" x 2 + .5" = 4.5" pole pocket)