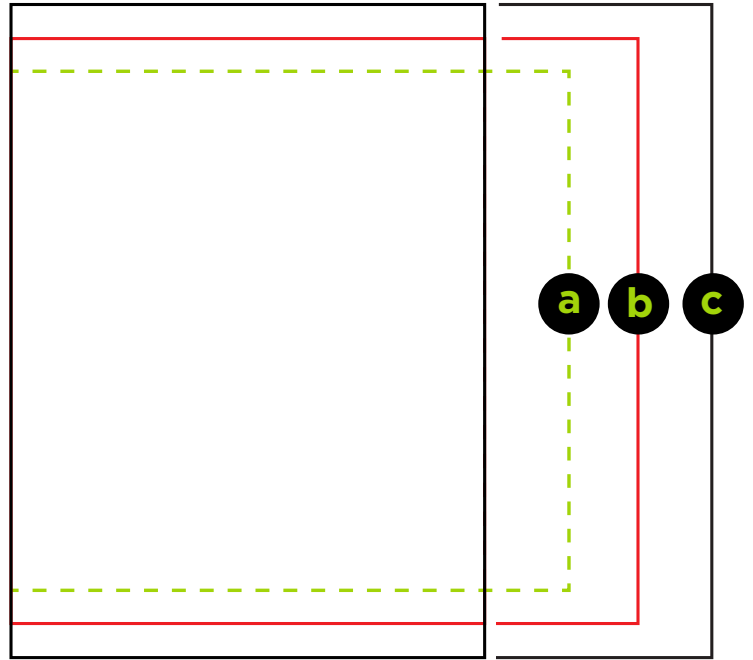
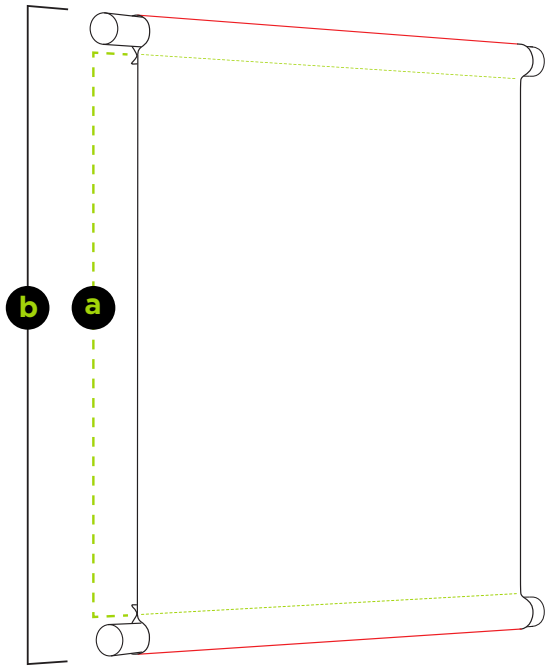


POLE POCKET GRAPHICS, 101

To determine pocket size, double pole diameter and then add .5"

2" pole pocket example: (2" x 2 + .5" = 4.5" pole pocket)

When providing instruction, be specific if you are providing the size of the pole or the pole pocket. Both should be provided.

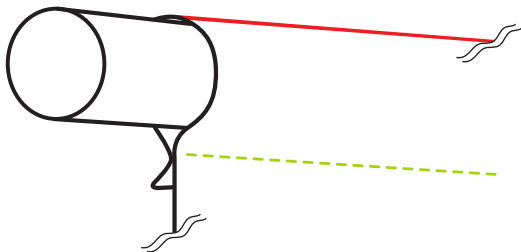


Finished Hanging Graphic

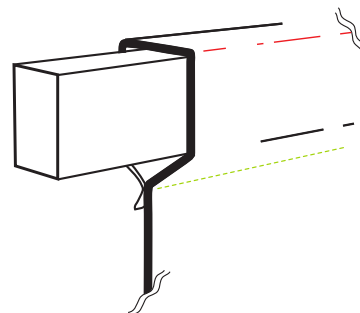
KEY

- a** — Sew line
- b** — Finished Graphic Design, Supplied by Customer
- c** — Print Size, Bleed Added for Pole

Close Up of Pole and Pole Pocket, Finished Graphic



2" round pole shown with 4.5" pole pocket



1" deep x 2" high rectangular extrusion shown with 4.5" pole pocket